

PG28M395

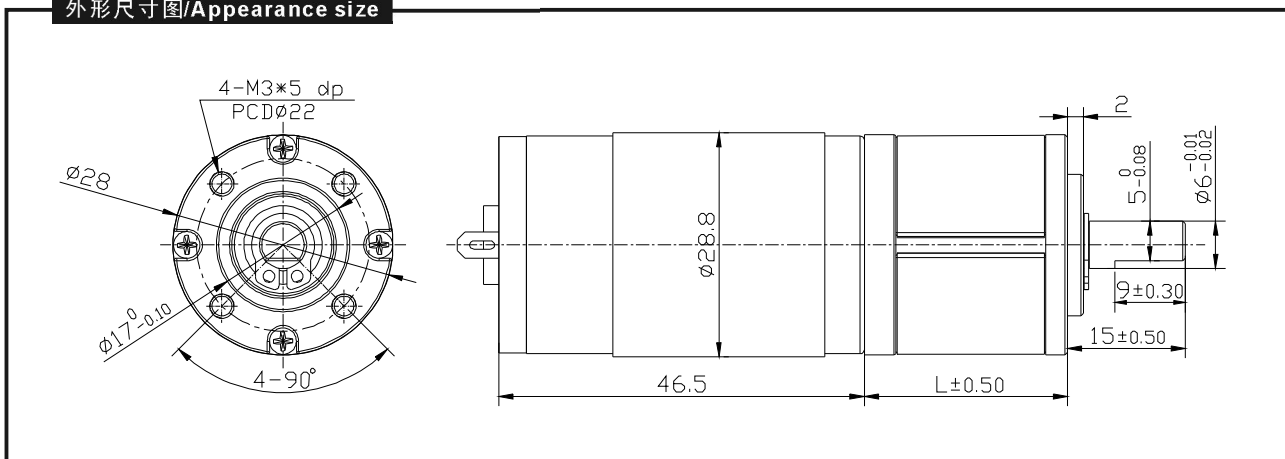


适用范围/Typical applications:

蠕动泵、微型数控设备、自动取款机、输卡机、遥控窗帘、过胶机、油印机、办公设备、家用电器、自动执行器等。

Peristaltic pump, Micro CNC equipment, ATM bank automatic system, Card conveyors, Auto shutter, Binding machine, Mimeograph, Office equipment, Household appliances, Automatic actuator.

外形尺寸图/Appearance size



齿轮箱清单/Gearbox data:

级数 Number of stages	1 stages reduction	2 stages reduction	3 stages reduction	4stages reduction	5stages reduction
减速比Reduction ratio	3.3, 4.6	11.2, 15.5, 21.5	37.7, 52.1, 72, 100,	126, 174, 241, 334, 462,	423, 585, 810, 1120, 1549, 2142,
齿轮箱长度 Gearbox length "L" mm	20.2	25.9	31.7	37.5	43.3
最大额定力矩 Max. Running torque	5.0Kgf · cm	10.0Kgf · cm	25Kgf · cm	25Kgf · cm	25Kgf · cm
最大损坏扭力 Max. Gear breaking torque	15.0Kgf · cm	30.0Kgf · cm	75Kgf · cm	75Kgf · cm	75Kgf · cm
效率Gearing efficiency	90%	81%	73%	65%	59%

马达清单/Motor data:

马达型号 Motor name	额定电压 Rated Volt. V	空载No load		负载扭矩Load torque				堵转扭矩Stall torque	
		Current	Speed	Current	Speed	Torque	Output power	Torque	Current
		mA	r/min	mA	r/min	gf · cm	W	gf · cm	mA
RS-395124500	12	≤150	4500	≤470	3879	95.2	3.7	643	2600
RS-395126000	12	≤190	6000	≤950	5350	119	6.5	847	4600
RS-395244500	24	≤70	4500	≤230	3992	104	4.2	722	1500
RS-395246000	24	≤90	6000	≤450	5456	134	7.5	1017	2720

1、减速后的输出力矩=马达力矩X减速比X齿轮效率。输出转速=马达转速/减速比。

1、After connecting motor and gearbox which is named gearmotor the output torque: motor torque X reduction ratio X gearing efficiency; output speed: motor speed / reduction ratio.

NOTE:

1、马达命名: 如PG28395246000-72K。马达参数如马达清单上的RS-395246000, 齿轮减速比参数如齿轮箱清单上的72, 马达的输出转速和输出力矩请参照上表的马达清单。

2、马达可安装的译码器参数请参照第46页。

3、标准输出轴为ø6.0mm, 其它尺寸可根据客户要求制作。

4、以上参数仅作参考, 具体以实物为准。

1、Gearmotor named methods: e.g. PG28395246000-72K Motor please refer to the motor data RS-395246000. Gearbox please refer to gearbox data reduction ratio 72. Related to gearmotor output speed and torque please refer to motor data.

2、Motor can be installed with magnetic encoder, encoder parameters please refer to Page 46.

3、Standard output shaft after reducing: ø6.0mm. other sizes of the output shaft can make as client request.

4、Chart only for reference, products shall prevail the entity.